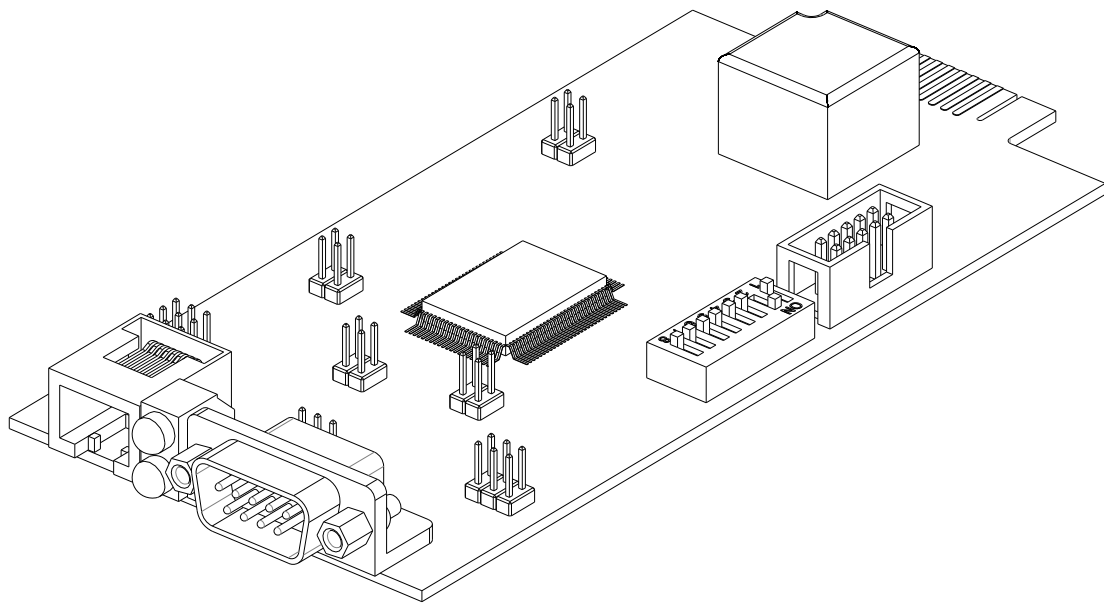


MULTICOM 352

SERIAL DUPLEXER



USER MANUAL

INTRODUCTION

Thank you for choosing our product.

The accessories described in this manual are of the highest quality, carefully designed and built in order to ensure excellent performance.

This manual contains detailed instructions on how to install and use the product.

This manual must be stored in a safe place and CONSULTED BEFORE USING THE DEVICE for proper usage instructions as well as maximum performance from the device itself.

NOTE: Some images contained in this document are for informational purposes only and may not faithfully demonstrate the parts of the product they represent.

Symbols used in this manual:



Danger

Indicates the possible presence of dangerous voltages and the risk of electric shock.



Warning

Indicates important information that must not be ignored.



Information

Provides notes and useful suggestions for the User.

SAFETY

This part of the manual contains SAFETY precautions that must be followed scrupulously.

Ensure that the connectors subjected to high voltages are correctly isolated.

- ❖ The device has been designed for professional use and is therefore not suitable for use in the home.
- ❖ The device has been designed to operate only in closed environments. It should be installed in rooms where there are no inflammable liquids, gas or other harmful substances.
- ❖ Take care that no water or liquids and/or foreign bodies fall into the device.
- ❖ In the event of a fault and/or impaired operation of the device, do not attempt to repair it but contact the authorized service centre.
- ❖ The device must be used exclusively for the purpose for which it was designed. Any other use is to be considered improper and as such dangerous. The manufacturer declines all responsibility for damage caused by improper, wrong and unreasonable use.

ENVIRONMENTAL PROTECTION

Our company devotes abundant resources to analysing environmental aspects in the development of its products. All our products pursue the objectives defined in the environmental management system developed by the company in compliance with applicable standards.

Hazardous materials such as CFCs, HCFCs or asbestos have not been used in this product.

When evaluating packaging, the choice of material has been made favouring recyclable materials. Please separate the different material of which the packaging is made and dispose of all material in compliance with applicable standards in the country in which the product is used.

DISPOSING OF THE PRODUCT

The device contains internal material which (in case of dismantling/disposal) are considered TOXIC, such as electronic circuit boards. Treat these materials according to the laws in force, contacting qualified centres. Proper disposal contributes to respect for the environment and human health.

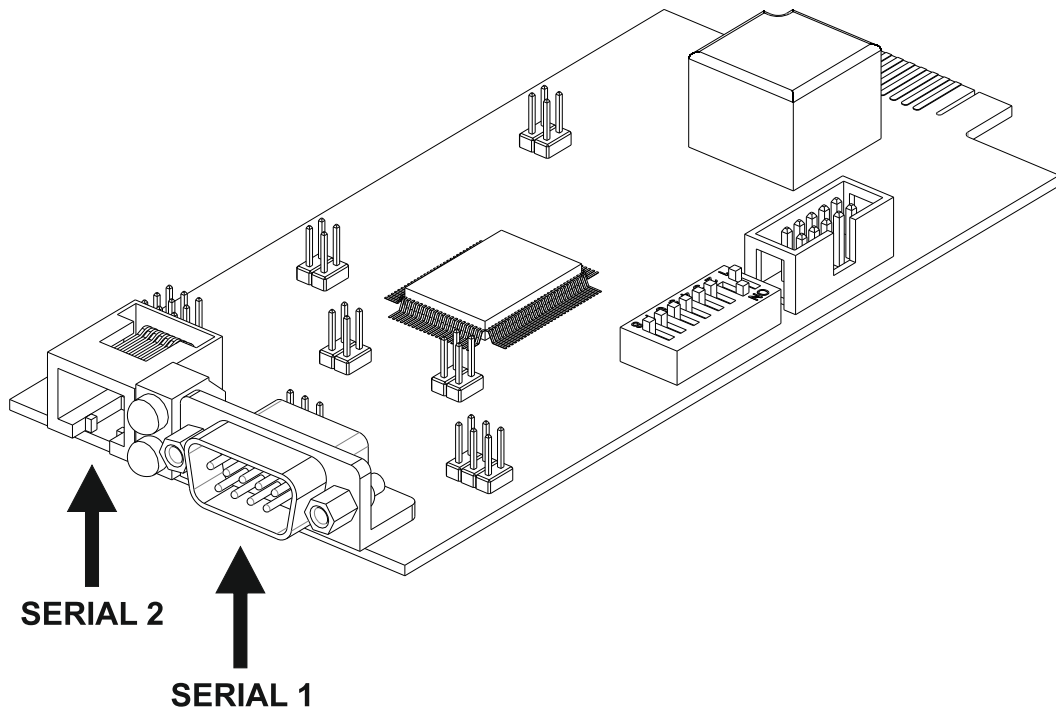
© The reproduction of any part of this manual, even in part, is prohibited unless authorised by the manufacturer.
The manufacturer reserves the right to change the product described at any time without prior notice for improvement purposes.

CONTENTS

<u>DESCRIPTION</u>	<u>7</u>
<i>IN THE BOX</i>	<i>7</i>
<u>CONFIGURATION</u>	<u>8</u>
<i>BAUD RATE</i>	<i>8</i>
<i>JUMPER SETTING</i>	<i>9</i>
<u>INSTALLATION</u>	<u>10</u>
<u>CONNECTORS PINOUT</u>	<u>11</u>

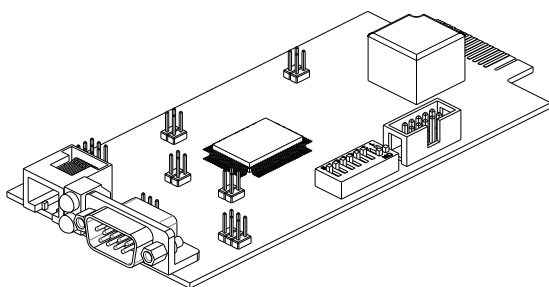
DESCRIPTION

The serial duplexer MultiCOM 352 is a device that, inserted in the proper slot of the UPS, provides two independent serial ports (SERIAL1 and SERIAL2) for monitoring of the UPS. The baud rate must be configured via dip-switch; 1200 and 9600 baud are supported.

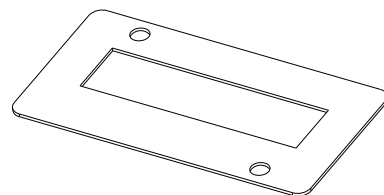


The LEDs, which normally are on, flash at irregular intervals to indicate the flow of data on the serial line.
Green led: "SERIAL 1" line activity.
Yellow led: "SERIAL 2" line activity.

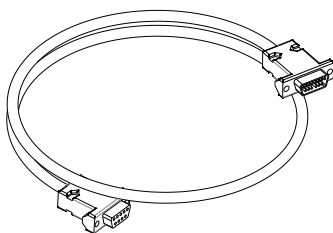
IN THE BOX



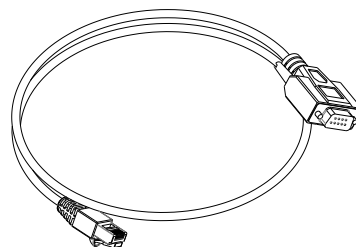
MultiCOM 352



Fixing cover



Serial cable DB9-DB9 (for SERIAL 1)

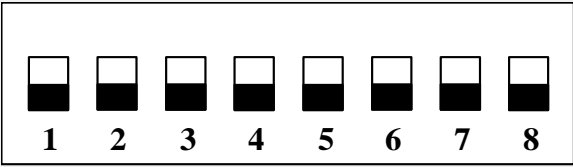
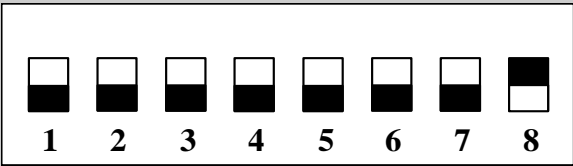


Serial cable RJ45-DB9 (for SERIAL 2)

CONFIGURATION

BAUD RATE

The device supports two communication speeds: 1200 and 9600 baud. The baud rate is selected by setting the position no. 8 of the DIP-SWITCH, as indicated in the following table, and it will be the same for “SERIAL 1” and “SERIAL 2”.

DIP-SWITCH SETTING			
Position #8 OFF		<i>ON</i> <i>OFF</i>	9600 baud (default)
Position #8 ON		<i>ON</i> <i>OFF</i>	1200 baud



The baud rate set for the device must be the same of that set for the UPS Communication Slot.

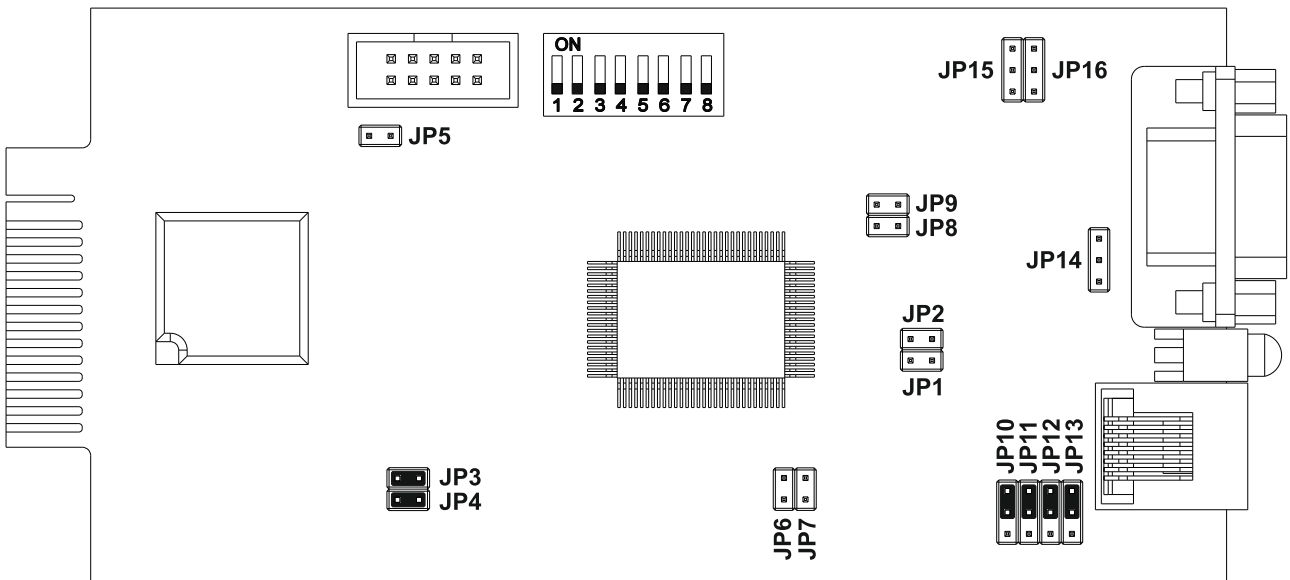


Refer to the UPS user manual or to the UPS configuration software to know the Communication Slot default baud rate or to change it.

JUMPER SETTING

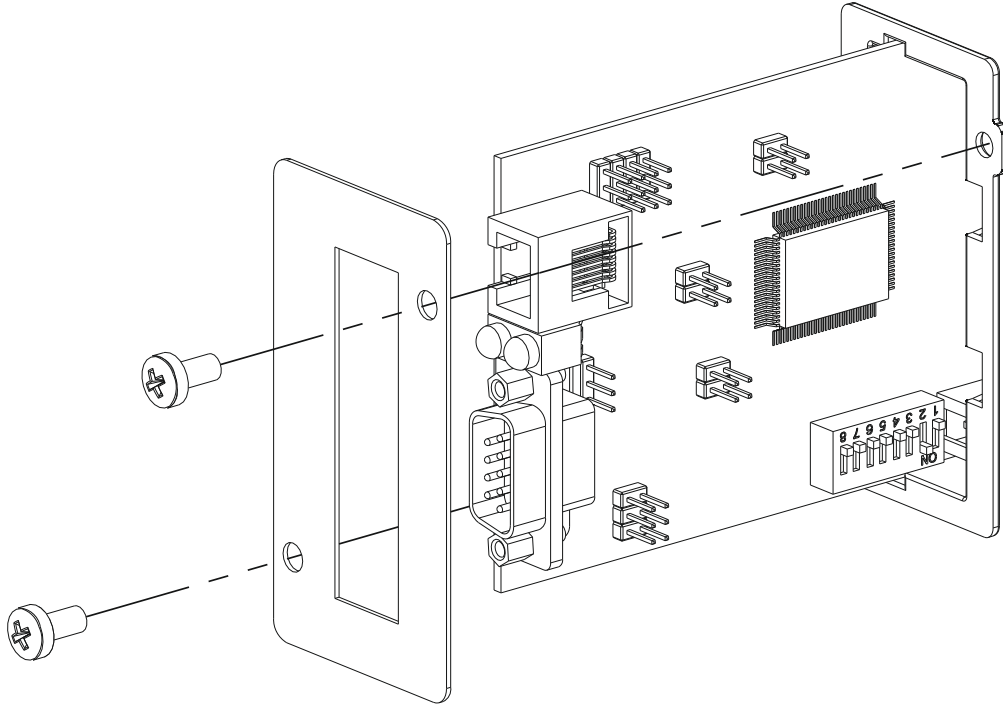
The jumpers must be set as shown in the following table and image.

JP1	OPEN
JP2	
JP3	CLOSED
JP4	
JP5	OPEN
JP6	
JP7	
JP8	
JP9	
JP10	The 2 high pins CLOSED (232 silk-screen print side)
JP11	
JP12	
JP13	
JP14	OPEN
JP15	
JP16	



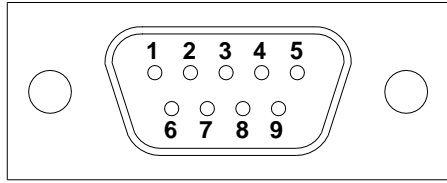
INSTALLATION

- Remove the cover of the UPS Communication Slot by removing the two retaining screws.
- Insert MultiCOM 352 in the slot.
- Fix the cover provided with MultiCOM 352 using the screws previously removed.



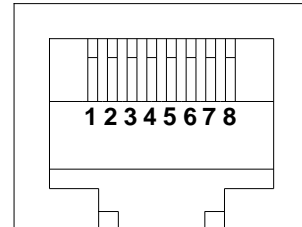
CONNECTORS PINOUT

SERIAL 1



PIN #	SIGNAL
1	n.c.
2	RXD
3	TXD
4	DTR
5	GND
6	n.c.
7	RTS
8	n.c.
9	n.c.

SERIAL 2



PIN #	SIGNAL
1	n.c.
2	GND
3	RXD
4	TXD
5	GND
6	≡ PIN 3
7	≡ PIN 4
8	n.c.

n.c. → not connected

≡ → equivalent

